



# MOSQUITO MAGNET<sup>®</sup>

Advanced Mosquito Defense Systems

**Silent and Odorless**  
*24/7 protection.*

**1 Acre Range**  
*To protect your family and pets.*

**Cordless Design**  
*For easy yard placement.*



**Liberty Plus**  
*Ideal for large yards and pool areas.*

*For Outdoor Use Only*  
1440-506 Rev. E

## Operation Manual



# Welcome

Congratulations on your purchase of Mosquito Magnet®. Now you can begin to enjoy your outdoor living space again.

Mosquito Magnet is the #1 mosquito trap in North America. Backed by 17 years of research and testing, Mosquito Magnet is scientifically proven to effectively reduce mosquitoes & other biting insects from your yard.

Mosquito Magnet is easy to use. The enclosed CD-ROM provides key information for getting started. In this manual, you'll learn everything you need to know about how it works, optimal trap placement, maintenance, storage and warranty information. The keys to success are trap placement, utilizing the correct attractant for your area and routine maintenance. For optimal catch rate, you'll need to change the propane tank and attractant every 21 days and use the Quick Clear cartridge every other tank change.

Visit us online at [www.mosquitomagnet.com](http://www.mosquitomagnet.com) for additional information regarding Mosquito Magnet, tips, testimonials, and additional product offerings.

**Woodstream® Corporation**  
69 North Locust Street  
Lititz, PA 17543  
United States  
[www.mosquitomagnet.com](http://www.mosquitomagnet.com)

**Patents:**  
USA: Nos. 6,145,243; 6,286,249; 6,817,140; 6,840,005;  
6,848,466; 7,243,457 and 7,281,351  
Canada: Nos. 2,265,944 and 2,322,038  
Europe: Nos. 1,011,324; 1,049,373 and 1,432,304  
Other patents pending

Made in the USA

## FOR YOUR SAFETY

### If you smell gas:

1. Shut off the gas to the appliance.
2. Extinguish any open flame.
3. Open lid.
4. If odor continues, immediately call your gas supplier or your fire department.

## FOR YOUR SAFETY

1. Do not store or use gasoline or other flammable vapors and liquids in the vicinity of this or any other appliance.
2. An LP cylinder not connected for use shall not be stored in the vicinity of this or any other appliance.

# Contents

|                               |            |
|-------------------------------|------------|
| <b>Safety Instructions</b>    | <b>3-4</b> |
| <b>Principal Parts</b>        | <b>5</b>   |
| <b>Assembly Instructions</b>  | <b>6</b>   |
| <b>Set-Up</b>                 | <b>7-8</b> |
| Trap Placement                |            |
| Charging Your Liberty Plus    |            |
| Propane Tank Installation     |            |
| <b>Instructions</b>           | <b>9</b>   |
| Starting Instructions         |            |
| When Not In Use               |            |
| End of Season Storage         |            |
| For Best Results              |            |
| <b>Maintenance</b>            | <b>10</b>  |
| Maintenance                   |            |
| Propane Tank Changing Tips    |            |
| Maintenance Schedule          |            |
| <b>Easy Quick-Clear Valve</b> | <b>11</b>  |
| <b>Troubleshooting</b>        | <b>12</b>  |
| LED Fault Codes               |            |
| <b>Product Registration</b>   | <b>13</b>  |



**Patented Counterflow Technology®**

## How the Mosquito Magnet® Works

Mosquitoes and other biting insects use the long-range attractant carbon dioxide (CO<sub>2</sub>) to locate people. Once in close proximity, mosquitoes use short-range attractants such as scents emitted from the skin, to determine which person they are going to bite. The Mosquito Magnet mimics a human by converting propane to CO<sub>2</sub>, with its patented catalytic conversion technology, in combination with a short-range attractant.

Attracted by the CO<sub>2</sub> and short-range attractant, mosquitoes and other biting insects are drawn to the Mosquito Magnet. When they reach the trap, the insects are vacuumed into a bug bag by our patented Counterflow Technology™, where they dehydrate and die within 24 hours.

The Mosquito Magnet is silent, odorless and runs 24/7. When properly placed in your yard, the **trap begins working immediately. Noticeable results can be achieved in 7 to 10 days.** To greatly reduce your biting insect population, allow 4 – 6 weeks. Leave the Mosquito Magnet out all summer long, to control the mosquito population in your yard.

Only biting insects are targeted including mosquitoes, no-see-ums, black flies and biting midges. Beneficial insects such as butterflies, bees or moths are not targeted.

## Questions or Comments

Please contact Woodstream® Corporation if you have any questions or experience any problems with your Mosquito Magnet®:

Woodstream® Corporation  
69 North Locust Street  
Lititz, PA 17543 USA  
[www.mosquitomagnet.com](http://www.mosquitomagnet.com)

|                                     |               |
|-------------------------------------|---------------|
| <b>Model No.:</b>                   | Liberty Plus  |
| <b>Serial No.:</b>                  |               |
| <b>Type of Gas:</b>                 | Propane       |
| <b>Manifold Pressure:</b>           | 100 – 110 psi |
| <b>Minimum Gas Supply Pressure:</b> | 11.0 in. WC   |
| <b>Input Rating:</b>                | 759 Btu/Hr.   |
| <b>Minimum Clearances:</b>          | 20 – 24"      |



# MOSQUITO MAGNET®



# MOSQUITO MAGNET®

# Safety Instructions

**Please read and follow all safety instructions and warnings.**

Children and adults should be alerted to the hazards of high surface temperatures and should stay away to avoid burns or clothing ignition.

Young children should be carefully supervised when they are in the area of the heater. Keep out of reach of children.

Clothing or other flammable materials should not be hung from the heater, or placed on or near the heater.

**Note:** Some or all of the following required safety instructions for propane powered devices may apply to your Liberty Plus. Allow trap to cool for 5 minutes before re-starting.

**Warning:** Improper installation, adjustment, alteration, service or maintenance can cause injury or property damage. Read the installation, operating and maintenance instructions thoroughly before installing or servicing the Liberty Plus.

**Caution:** The gas pressure regulator provided with this appliance must be used. This regulator is set for an outlet pressure of 11.0 in. Water Column. The minimum inlet gas supply pressure is 11.0 in. Water Column from regulator.

- This unit is not intended to be installed in or on recreational vehicles and/or boats.
- The gas supply must be turned off at the LP-Gas supply cylinder when this appliance is not in use.
- The installation must conform with local codes or, in the absence of local codes, with the National Fuel Gas Code, ANSI Z223. 1-1998 for US and with the CAN1-B149 for Canada.
- To test for a gas leak, place soapy water around the connector, regulator, and gas hose assembly. If bubbles appear, there is a gas leak.
- Inspect the hose before each use of the unit. If it is evident there is excessive abrasion or wear, or the hose is cut, it must be replaced prior to the unit being put into operation. The replacement hose shall be that specified by the manufacturer.
- The Liberty Plus is equipped with an internal spark ignition device. Failure to follow starting procedure will result in the trap not starting.
- Installation and repair should be done by a qualified service person (find service centers on [www.mosquitomagnet.com](http://www.mosquitomagnet.com)). The heater should be inspected before use and at least annually by a qualified service person. More frequent cleaning may be required as necessary. It is imperative that the control compartment, burners, and circulating air passageways of the heater be kept clean.

# Safety Instructions

- Maintain adequate clearances of 20"–24" around air openings into the combustion chamber, clearances from combustible material, provisions for accessibility and for combustion and ventilating air supply. Keep the Liberty Plus area clear and free from combustible materials, gasoline, and other flammable vapors and liquids. The appliance is not to be used in locations where flammable vapor or explosive dust is likely to exist.
- Do not obstruct the flow of combustion and ventilation air.
- Keep the ventilating openings of the cylinder enclosure free and clear from debris.
- Clean the Liberty Plus with a water damp cloth, if necessary.
- A maximum of a 20 lb. LP-Gas cylinder shall be used.
- The LP-Gas cylinder must be provided with a shut-off valve terminating in an LP-Gas supply cylinder valve outlet specified for Connection No. 510 in the Standard for Compressed Gas Cylinder Valve Outlet and Inlet Connections, ANSI/CGA-V-1-1977.
- The LP-Gas cylinder supply system must be arranged for vapor withdrawal and the cylinder must include a collar to protect the cylinder valve.
- The LP-Gas cylinder used shall be constructed and marked in accordance with the specifications for LP-Gas cylinders of the U.S. Department of Transportation (DOT) or The National Standard of Canada CAN/CSA-B339.
- The Liberty Plus shall be used outdoors only in a well ventilated space and shall not be used in a building, garage, or any other enclosed area.
- The LP-Gas cylinder must be disconnected and removed from the appliance, if the appliance is stored indoors.
- LP-Gas cylinders must be stored outdoors in a well-ventilated area out of reach of children.
- Disconnected cylinders must have threaded valve plugs tightly installed and must not be stored in a building, garage, or any other enclosed area.

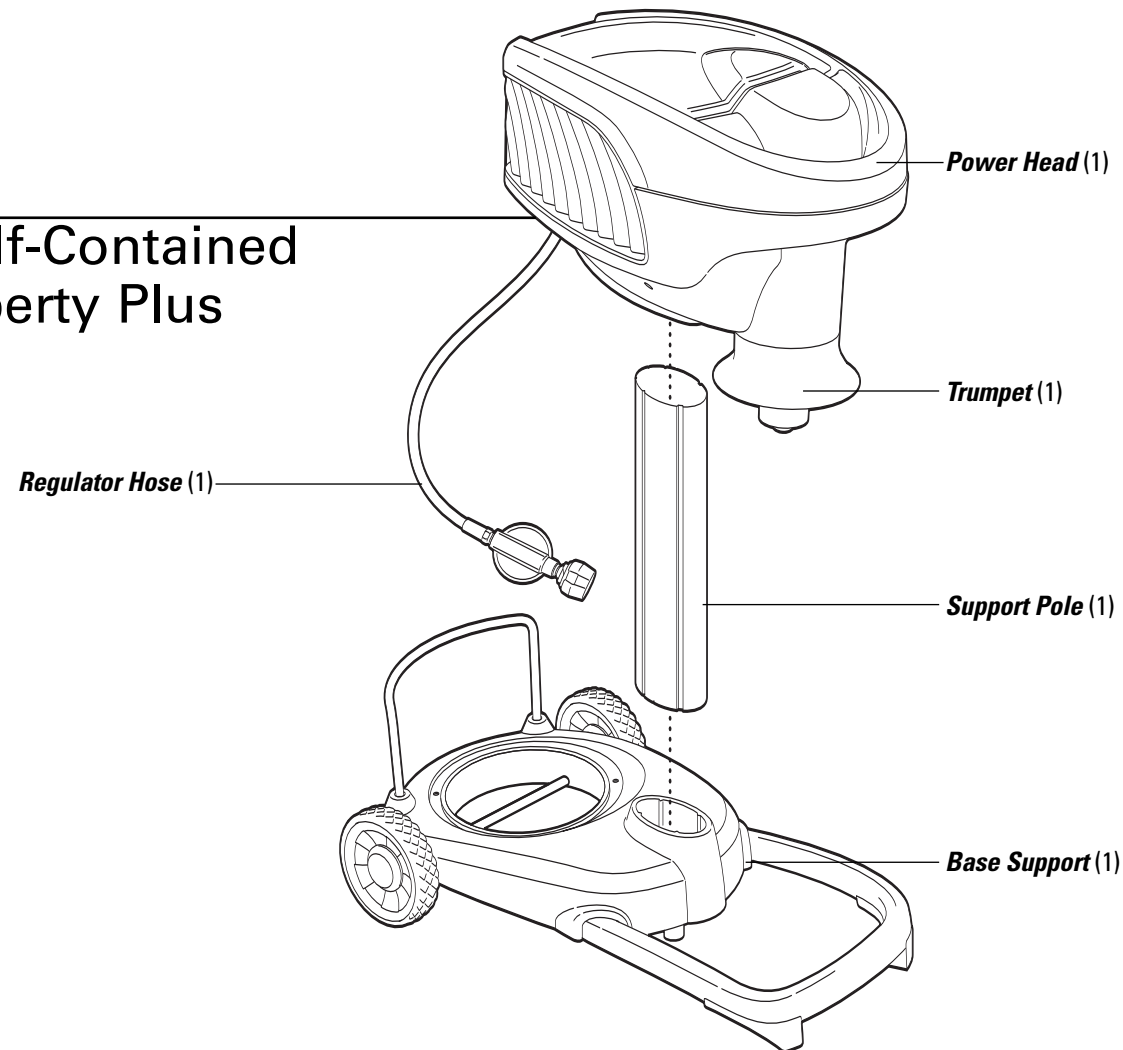
- The pressure regulator and hose assembly supplied with this appliance must be used for connection to the LP-Gas cylinder. Replacement pressure regulators and hose assemblies must be specified by the manufacturer.
- Avoid improper use of extension cords. Keep connections away from moisture and avoid damage to the cord.
- If the supply cord is damaged, it must be replaced by the manufacturer or its service agent or a similarly qualified person in order to avoid hazard.

Please contact Customer Care if you have any questions at:  
**1-800-953-5737**  
or visit [www.mosquitomagnet.com](http://www.mosquitomagnet.com)

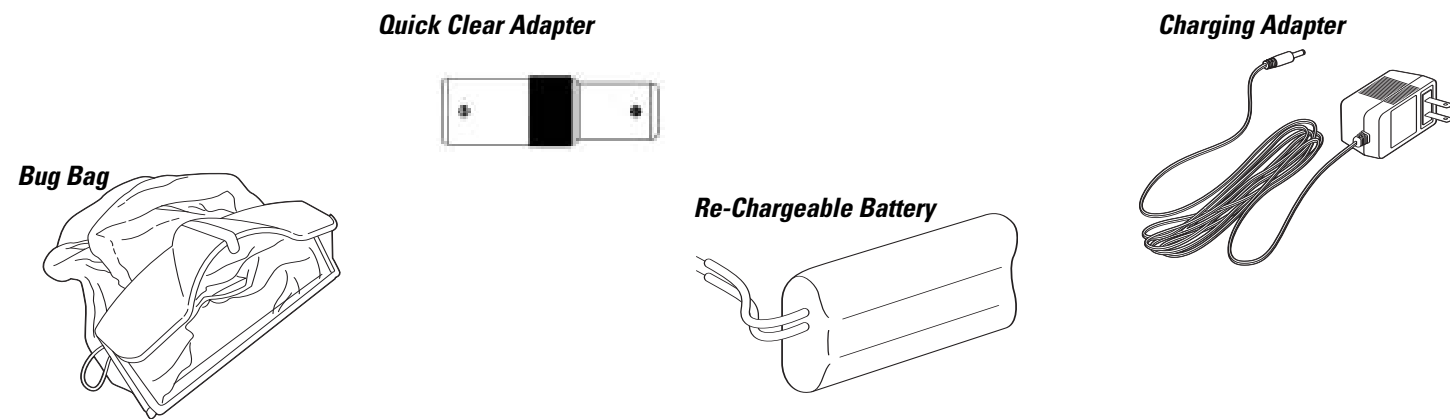


# Principal Parts

## Self-Contained Liberty Plus



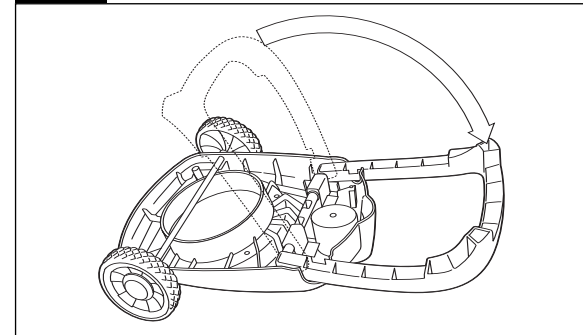
## Parts Included



# Assembly Instructions

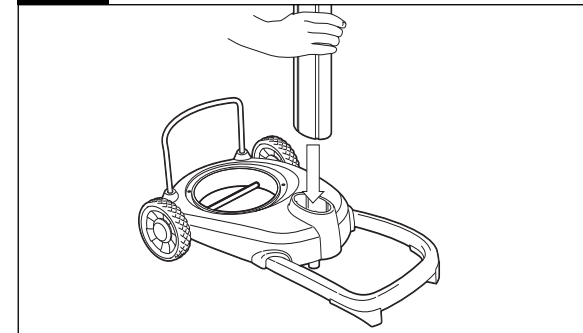
## Trap Assembly:

### Step 1



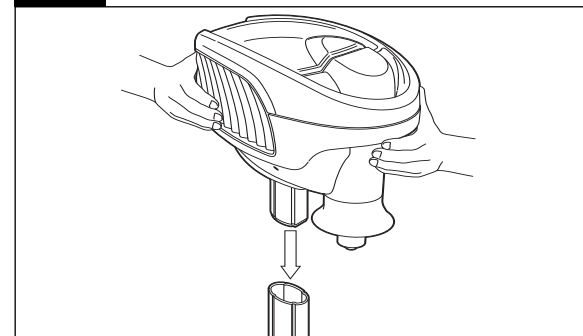
Place base upside down on a flat surface, unfold U-shaped support leg until it locks in place.

### Step 2



Turn base and leg assembly right-side-up and place support pole into cavity on base.

### Step 3



Place Liberty Plus power head onto pole. Press down firmly with two hands to secure.

Assembled trap should have the front of power head/trumpet placed farthest from the wheels in the same direction as base U-shaped legs.

### Step 4

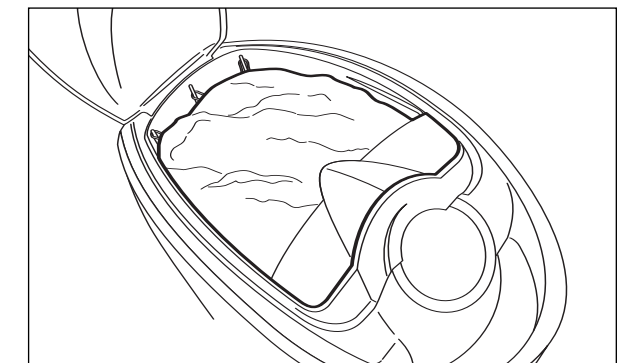
Charge Liberty Plus for 24 hours before use. See pg. 7 for further details.

**NOTE:** You will not need to charge it again until the following season.

## Bug Bag Installation:

Lift clear plastic lid and lock plastic holding bracket of bug bag into front of compartment. Close plastic lid when finished.

**Note:** Fabric loops hook over plastic posts allowing bug bag to expand to its highest capacity.



Bug bag locks into front of compartment



# MOSQUITO MAGNET



# MOSQUITO MAGNET

# Set-Up

## Trap Placement

1. Determine the direction of the prevailing wind. Check local weather patterns if you are unsure.
2. Stand in the center of the area you are trying to protect and look toward the prevailing wind.
3. Proper placement of the Liberty Plus will be 30 – 40 feet in front of you, within 5-6 feet of ground cover (i.e. bushes, flowerbeds, tree line, marshbed). Ensure that trap is not directly against any blockades such as buildings, fences, etc.
4. It is recommended that the trap be placed in the shade.
5. Do not place trap directly above a water source (sprinklers, hose, etc.).
6. Trap must be placed on level ground to avoid tipping or uneven propane distribution.
7. For optimal trap placement in your yard, refer to the instructional CD-ROM included with your Liberty Plus.

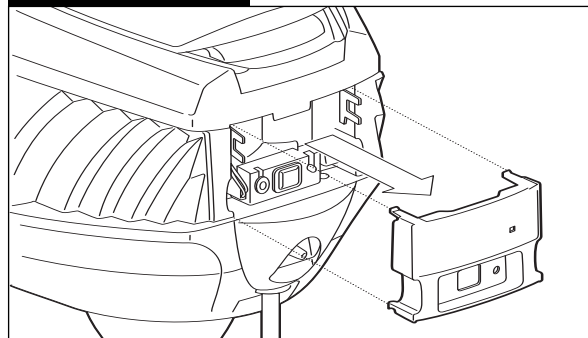


## Charging your Mosquito Magnet® Liberty Plus

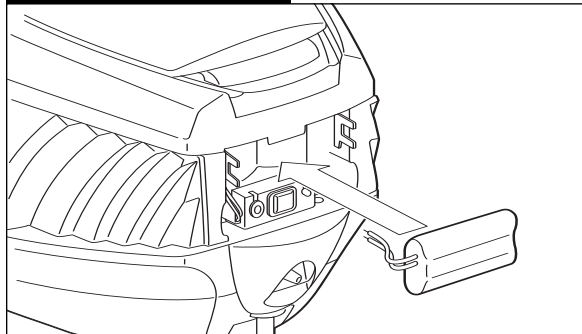
1. Remove cover panel from rear of Power Head Unit (panel snaps off).
  2. Insert and connect re-chargeable battery.
  3. Insert Charging Adapter into rear of Head Unit.
- Allow to charge for 24 hours at the beginning of each season. You will not need to charge again until next season. Replace cover panel when completed (panel snaps into place).

**NOTE:** Unit must be charged indoors, trap is not weatherproof with cover panel removed.

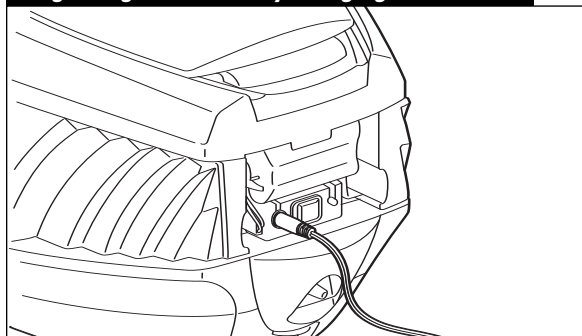
### Remove Back Panel



### Insert & Connect Battery



### Plug Charger Into Battery Charging Powerhead



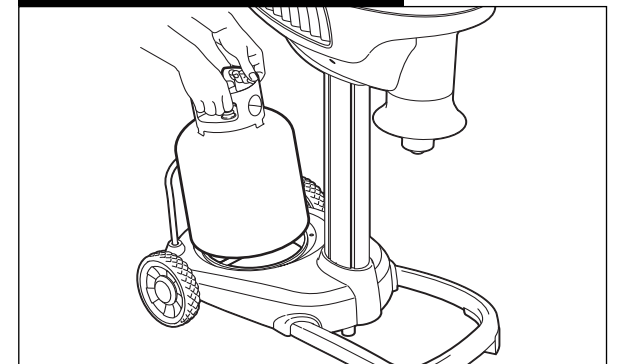
# Set-Up

## Propane Tank Installation

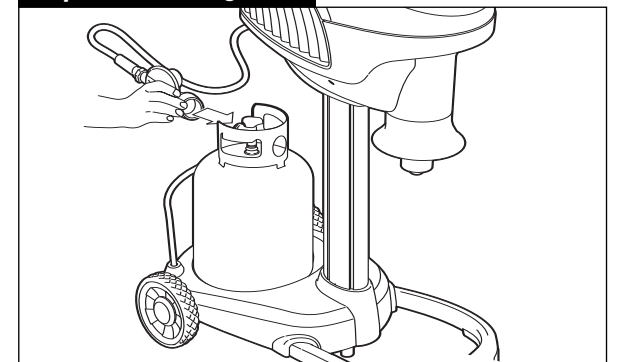
1. After trap is placed in its ideal location, place propane tank onto the molded cradle.
2. Making sure propane tank is fully closed. Attach propane regulator hose to propane tank. Secure tightly by hand. **Do not use tools.**
3. Turn propane on by *slowly* turning valve counter-clockwise. Take care not to turn too quickly to avoid engagement of safety valve.

**⚠ DO NOT MOVE TRAP WITH TANK ATTACHED!** TANK MUST BE DISCONNECTED FROM REGULATOR BEFORE TRAP IS RELOCATED TO AVOID DAMAGE TO REGULATOR AND/OR TRAP. BE ADVISED, DAMAGE CAUSED FROM FAILURE TO COMPLY WITH THIS INSTRUCTION IS NOT COVERED UNDER WARRANTY.

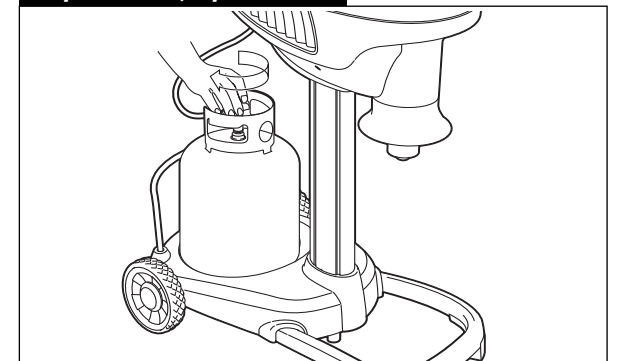
### Step 1 – Propane Tank Placement



### Step 2 – Attach Regulator



### Step 3 – Slowly Open Valve



# Instructions

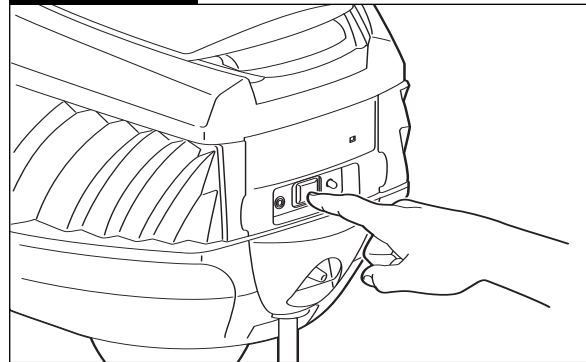
**\*\*READ MANUAL BEFORE STARTING\*\***

## Starting Instructions

It is recommended that you read the entire manual before starting the Liberty Plus trap.

1. Charge your Mosquito Magnet® Liberty Plus for 24 hours at the beginning of each season.
2. Connect regulator to propane tank (see page 8).
3. Slowly open propane tank valve.
4. Push ON/OFF switch to ON position. LED light will turn solid orange indicating warm-up. After 15 to 25 min. trap LED light will turn solid green indicating the trap is running at full capacity.

### ON/OFF Switch



### For Best Results (unit must run for 24 hours/day)

- Your trap will begin capturing immediately with significant reduction in the mosquito population in 7-10 days. Allow 4 – 6 weeks to significantly reduce the mosquito population in your yard.
- Never spray insecticide in or around trap.
- Trap can be left running in the rain, but do not place trap directly above a water source (sprinklers, hose, etc.).
- If using lime or fertilizer compounds, be sure to shut down the Liberty Plus first to prevent dust or fine mist from being drawn into trap and clogging bug bag.

**Warning:** Improper installation, adjustment, alteration, service or maintenance can cause injury or property damage. Read the installation, operating and maintenance instructions thoroughly before installing or servicing this equipment.

**Caution:** The gas pressure regulator provided with this appliance must be used. This regulator is set for an outlet pressure 11.0 in. water column.

The gas supply must be turned off at the LP-Gas supply cylinder when this appliance is not in use.

### Shut Down



## When Not In Use

If the unit is not in use, the gas must be turned off at the supply cylinder. Storage of this unit indoors is permissible only if the cylinder is disconnected and removed. Cylinders must be stored outdoors, out of reach of children and must not be stored in a building, garage or any other enclosed area.

## End of Season Storage

Push ON/OFF switch to OFF position to shut down the Liberty Plus. The LED light will go out and the fan will continue running until trap is cool. Close the propane tank valve and disconnect regulator. Also, disconnect the battery, but make sure not to remove battery from the trap.

Any open Mosquito Magnet® attractant should be removed and discarded. See attractant label for disposal instructions. The bug bag should also be discarded prior to storing the Liberty Plus.

**STORAGE:** Liberty Plus should be stored indoors in a garage or shed in the off-season. Cover trumpet to prohibit insects from nesting. Cover unit with trap cover available at [www.mosquitomagnet.com](http://www.mosquitomagnet.com) or with a tarp and secure tightly at the bottom to keep out dust, spider webs and other debris.

**NOTE:** It is recommended that you use the Quick Clear cartridge before seasonal storage to avoid build-up of contaminants during off-season (see page 13).

Please visit [www.mosquitomagnet.com](http://www.mosquitomagnet.com) to find a local service provider for your spring tune-up.

# Maintenance

## Maintenance

### 21 Day Maintenance Cycle

- Refill propane. (Propane lasts approximately 21 days with 24-hour/7-days operation.)
- Replace short-range attractant cartridge. See Mosquito Magnet® attractant label for instructions.
- Empty or replace bug bag.
- Utilize the Quick Clear adapter at first tank change and every second tank change thereafter.
- Periodically wipe down the outside of the Liberty Plus with a clean, water damp cloth.
- Charge your Mosquito Magnet Liberty Plus for 24 hours at the beginning of each season.

## Propane Tank Changing Tips

When attaching the regulator knob to a tank after a tank change, be sure to fully tighten the regulator knob onto the tank. No need to use tools, but do turn the knob as far as possible by hand. When this is done, loosen the knob 1/4 turn, then re-tighten to maximize seal.

The purpose for this is to fully engage the regulator onto the tank. If the regulator is not fully engaged, the flow of gas may be restricted to the point where the trap will show a gas empty code. If this occurs, press the off button, close the tank valve, and remove the regulator from the tank. Re-attach the regulator and try again.

## Maintenance Schedule

Note: Bug bags should be replaced when half full. You can find all your accessory needs at [www.mosquitomagnet.com](http://www.mosquitomagnet.com) or at your local Mosquito Magnet Dealer or Service Center.

|                             | Example | Season 1 | Season 2 | Season 3 | Season 4 |
|-----------------------------|---------|----------|----------|----------|----------|
| Purchase Date               | 4/1     |          |          |          |          |
| Warranty Submission         | 4/1     |          |          |          |          |
| Start Up Date               | 4/1     |          |          |          |          |
| Propane & Attractant Change | 4/21    |          |          |          |          |
| Quick Clear Cartridge       | 4/21    |          |          |          |          |
| Propane & Attractant Change | 5/11    |          |          |          |          |
| Quick Clear Cartridge       | —       |          |          |          |          |
| Propane & Attractant Change | 5/31    |          |          |          |          |
| Quick Clear Cartridge       | 5/31    |          |          |          |          |
| Propane & Attractant Change | 6/20    |          |          |          |          |
| Quick Clear Cartridge       | —       |          |          |          |          |
| Propane & Attractant Change | 7/10    |          |          |          |          |
| Quick Clear Cartridge       | 7/10    |          |          |          |          |
| Propane & Attractant Change | 7/30    |          |          |          |          |
| Quick Clear Cartridge       | —       |          |          |          |          |
| Propane & Attractant Change | 8/19    |          |          |          |          |
| Quick Clear Cartridge       | 8/19    |          |          |          |          |
| Propane & Attractant Change | 9/8     |          |          |          |          |
| Quick Clear Cartridge       | —       |          |          |          |          |
| Propane & Attractant Change | 9/28    |          |          |          |          |
| Quick Clear Cartridge       | 9/28    |          |          |          |          |



# Easy Quick-Clear Valve

⚠ **Important:** Extinguish all smoking materials prior to use of Easy Quick-Clear Valve. Do not stand directly behind the Quick Clear cartridge during operation.

⚠ **Use of PROTECTIVE eyewear is recommended.**

**Quick Clear is recommended for regular maintenance to remove built-up contaminants but is not required for operation of your Liberty Plus.**

Recommended for use at first tank change, and every second tank change thereafter. Also recommended for use before seasonal storage to avoid build up of contaminants during the off-season. Instructions for "Easy Quick-Clear Valve" Maintenance procedure shall be provided on a label attached to appliance where easily visible by user.

The Easy Quick-Clear Valve is a gold, threaded knob located on the back of your trap. It should be used with the adapter included with your Liberty Plus, and a threaded Quick Clear cartridge available on our website at [www.mosquitomagnet.com](http://www.mosquitomagnet.com) or at your local Mosquito Magnet® Dealer.

1. Shut down your Liberty Plus. Let fan run until it stops. (About 5 minutes).
2. Close the propane tank valve by turning to the "OFF" position. (Turn the tank valve clockwise).
3. Remove the protective cap from Easy Quick-Clear Valve on your trap.
4. Hand-screw the Quick Clear adapter on to Quick Clear valve, until finger tight.
5. Hand-screw the Quick Clear cartridge into the Quick Clear adapter clockwise until hand tight while holding the adapter in place. **Important:** Do not over-tighten.
6. While holding the adapter in place *slowly* unscrew Quick Clear cartridge up to *1/4 turn only* in counter clockwise direction from the Quick Clear adapter only. The strong flow of compressed air lasts approximately 45 seconds. Be sure to allow Quick Clear cartridge to run out completely. (Hissing will stop when cylinder is empty. Quick Clear cartridge will be cold to the touch)
7. Unscrew the Quick Clear cartridge to remove. Discard empty Quick Clear cartridge after use, it is not reusable or refillable.
8. Unscrew the Quick Clear adapter to remove.  
Use caution when removing Quick Clear adapter and cartridge, as some compressed air may come out at this time.  
Remember to keep the Quick Clear adapter for future use.
9. Replace Easy Quick-Clear Valve protective cap, and proceed with normal start up of your Liberty Plus. If use of Easy Quick-Clear Valve feature does not resolve starting trouble, contact Customer Care **1-800-953-5737**.

Step 4



First hand-screw the Quick Clear adapter onto the valve.

Step 5



While holding the adapter in place, screw the Quick Clear cartridge into Quick Clear adapter.

Step 6



To start cleaning process, while holding Quick Clear adapter in place, unscrew the Quick Clear cartridge **1/4 Turn Only**.

Step 7



Unscrew the Quick Clear cartridge first, then unscrew Quick Clear adapter and discard the spent Quick Clear cartridge. Remember to keep the Quick Clear adapter for future use.

# Troubleshooting

| Problem  | Possible Cause  | Solutions  |
|--|---|--|
| <b>Unit won't start</b><br><b>Red LED light flashing at 7 second intervals</b> | <ol style="list-style-type: none"> <li>1. Propane tank may be empty.</li> <li>2. If propane tank is new and has been newly filled it must be purged.</li> <li>3. There could be a loose connection.</li> <li>4. Fuel line maybe blocked by propane contaminants.</li> </ol> | <ol style="list-style-type: none"> <li>1. Weigh tank and check against "empty" weight written on tank.</li> <li>2. Bring tank to filling location. Air may be in fuel line. Ask for tank to be purged.<br/><i>Hint: If you have another propane powered device operating on a standard, 20 lb propane tank, try hooking that tank up to the Liberty Plus to verify that the issue is with your tank.</i></li> <li>3. Verify all connections. Make sure propane tank valve is fully open.</li> <li>4. See Quick Clear adapter instructions on page 13.</li> </ol> |
| <b>Unit won't stay running</b>   | <ol style="list-style-type: none"> <li>1. 'Possible Causes' 1 &amp; 3 above may apply.</li> <li>2. Fuel line may be blocked by propane contaminants.</li> <li>3. Regulator is not fully engaged.</li> </ol>   | <ol style="list-style-type: none"> <li>1. Go through above steps 1 &amp; 3.</li> <li>2. See Quick Clear adapter instructions on page 13.</li> <li>3. See Tank Changing Tips on page 8.</li> </ol>  |
| <b>Low or No Catch</b>   | <ol style="list-style-type: none"> <li>1. Insects may not be out yet.</li> <li>2. Trap placement issue.</li> <li>3. Biting insect reproductive cycles have not yet been broken.</li> <li>4. Counterflow may be disrupted.</li> </ol>  | <ol style="list-style-type: none"> <li>1. Verify temperature is consistently over 50°F (10°C).</li> <li>2. Follow steps in the "Trap Placement" section of your owner's manual or refer to your instructional CD-ROM included with your Liberty Plus.</li> <li>3. Keep trap in constant operation 24 hours/day, 7 days per week for at least 4-6 weeks to reduce the mosquito population.</li> <li>4. Air flow may be restricted. Call Customer Care at: <b>1-800-953-5737</b>.</li> </ol>   |
| <b>LED Flashing alt RED/GREEN at 7 second intervals</b>                        | High Temperature  | <ol style="list-style-type: none"> <li>1. Turn off trap and allow to cool for 1/2 hour. Then restart. If code continues, call Customer Care at: <b>1-800-953-5737</b>.</li> </ol>  |
| <b>LED Flashing alt RED/ORANGE at 7 second intervals</b>                       | Battery Voltage Low   | <ol style="list-style-type: none"> <li>1. Make sure you have charged the battery for 24 hours before starting trap for the first time out of the box and the first time before each season.</li> <li>2. Check all battery connections, make sure they are fully inserted.</li> <li>3. After several repeated unsuccessful attempts to start your Mosquito Magnet® the battery may need to be recharged.</li> </ol>   |
| <b>Double flashing Red LED at 7 second intervals</b>                           | Thermister fault  | <ol style="list-style-type: none"> <li>1. Contact Customer Care at 1-800-953-5737</li> </ol>   |
| <b>LED light solid red</b>   | Electrical fault  | <ol style="list-style-type: none"> <li>1. Contact Customer Care at 1-800-953-5737</li> </ol>   |

**Customer Care** **\*\*Please have your serial number, date of purchase & model type available\*\***

All of us at Woodstream® Corporation want you to get complete satisfaction from your Liberty Plus. Should you have any problems you cannot resolve, simply call one of our trained Customer Care Representatives at **1-800-953-5737** or visit [www.mosquitomagnet.com](http://www.mosquitomagnet.com). We will help you get up and running.



# Product Registration

Register on-line at [www.mosquitomagnet.com](http://www.mosquitomagnet.com) or mail completed form today, to:

Woodstream® Corporation, Attn: Mosquito Magnet® Consumer Care, 69 North Locust Street, Lititz, PA 17543

First Name \_\_\_\_\_ Last Name \_\_\_\_\_  
 Address \_\_\_\_\_  
 City \_\_\_\_\_ State/Province \_\_\_\_\_ Zip Code \_\_\_\_\_ Country \_\_\_\_\_  
 Phone Number \_\_\_\_\_ Email Address \_\_\_\_\_  Yes, I would like to receive product updates via email.

**1. Where did you buy this product?**

Website \_\_\_\_\_  Store Name \_\_\_\_\_  Service Center \_\_\_\_\_

**2. How did you find out about the Mosquito Magnet® (check all that apply)?**

Radio Ad  Direct Mail  TV Ad  Friend/Family  Website  Magazine Ad  
 Newspaper Ad  News Article (newspaper, magazine, TV, etc.)  Frontgate  In-Store Display  Other

**3. In your household who decided to purchase the Mosquito Magnet?**

Male  Female  Both

**4. What is your marital status?**

Married  Single

**5. Are there any children in your household?**

Yes  No

**6. What are the two most important reasons influencing this purchase?**

Protection from mosquitoes that may transmit disease  Reputation of quality  
 Science/technology behind product  Comfort  
 Recommendation of friend/family member  Received as gift  
 Recommendation of salesperson  Other

| NECESSARY INFORMATION   |         |              |
|---|---------|--------------|
| In order to properly register your product with Woodstream® Corporation, the following information is required. |         |              |
| <b>Model:</b> Circle One  |         |              |
| Defender  | Liberty | Liberty Plus |
| Serial#:  |         |              |
| Date of purchase:   |         |              |

**7. What is your age?**

25 – 35  36 – 45  46 – 55  56 – 70  70+

**8. What is your level of education?**

High School Diploma  College Degree  Graduate Degree  Doctoral Degree  Technical/Professional

**9. What is your annual household income?**

\$25,000 – 39,999  \$40,000 – 59,999  \$60,000 – 89,999  Over \$90,000

**10. What other brands of insect abatement have you tried?**

Zappers  Sprays  Pesticides  Other CO<sub>2</sub> Traps, Name: \_\_\_\_\_

**11. Would you consider giving a testimonial once you are thoroughly convinced of the effectiveness of the Mosquito Magnet?**

Yes  No

**12. Were the assembly directions and operation instructions explained clearly and simply?**

Yes  No

**13. Did you require customer care?**

Yes  No

Please visit [www.mosquitomagnet.com](http://www.mosquitomagnet.com) to find a local service provider.

**Consumer Confidentiality:** All of the information that has been gathered on this reply card is solely for the internal sales and marketing efforts of Woodstream® Corporation. None of the information that you may have provided will be sold, rented or leased to any other company, organization or agency for any purpose whatsoever. None of this information will be posted on our company website or any other vehicle that can be obtained by the public domain. If you wish to make additional comments or testimonials about our product, please address them separately and send them to our Marketing Department at the address listed inside the manual.



**MOSQUITO MAGNET**



**MOSQUITO MAGNET**



# Brukerhåndbok



**MOSQUITO MAGNET™**

# Velkommen

Gratulerer med ny Mosquito Magnet®. Nå kan du nyte det å være utendørs igjen.

Mosquito Magnet er den mest populære myggfellen i Nord-Amerika. Den er blitt testet og forsket på i sytten år, og den reduserer betraktelig antall mygg og andre stikkende insekter i hagen din. Dette er vitenskapelig bevist.

Mosquito Magnet er enkel å bruke. En vedlagt CD-ROM gir deg god forklaring på hvordan du kan komme igang. I denne brukerhåndboken vil du finne informasjon om hvordan den fungerer, best plassering av myggfellen, vedlikehold, oppbevaring og garanti. For å få fellen til å virke på best mulig måte må du plassere den på riktig sted, bruke riktig lokkemiddel i forhold til ditt område, og ha gode vedlikeholdsrutiner. For å oppnå best mulig resultat må du bytte propanflaske og lokkemiddel hver tredje uke, og "Quick Clear" hurtigrensfilter må brukes annen hver gang du bytter flaske.

Se vår webside [www.mosquitomagnet.com](http://www.mosquitomagnet.com) hvis du ønsker mer informasjon om Mosquito Magnet, gode råd og forbrukeranbefalinger.

**Woodstream® Corporation**  
69 North Locust Street  
Lititz, PA 17543  
United States  
[www.mosquitomagnet.com](http://www.mosquitomagnet.com)

USA: patentnr. 6,145,243; 6,286,249; 6,817,140; 6,840,005;  
6,848,466; 7,243,457 and 7,281,351

Kanada: patentnr. 2,265,944 and 2,322,038

Europa: patentnr. 1,011,324; 1,049,373 and 1,432,304

Andre patentanmeldelser

Produsert i USA

## AV SIKKERHETSMESSIGE GRUNNER

### Hvis du lukter gass:

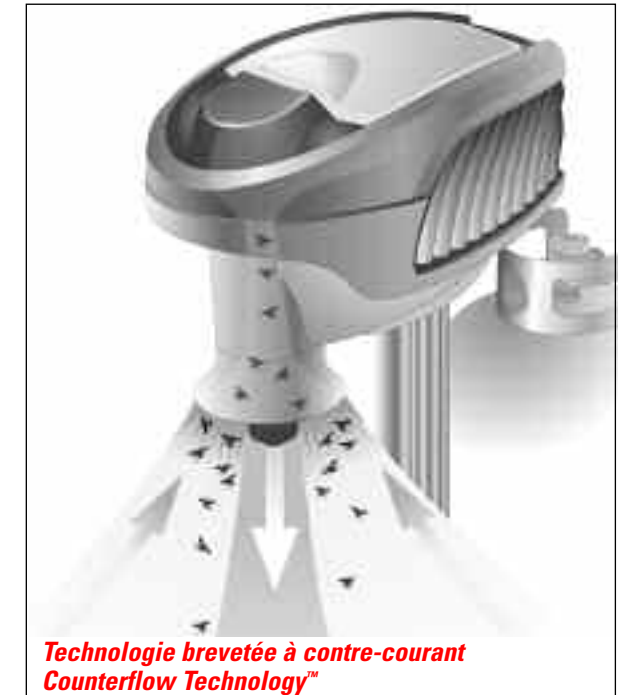
1. Steng gassen på flasken.
2. Slokk eventuelle flammer.
3. Åpne lokket.
4. Hvis lukten fortsetter, må du umiddelbart ta kontakt med din gassforhandler eller brannvesenet.

## AV SIKKERHETSMESSIGE GRUNNER

1. Bensin og andre typer brennfarlig stoff og damp må ikke brukes eller oppbevares i nærheten av denne myggfellen eller andre typer apparater.
2. En propanflaske som ikke er tilkoblet må ikke oppbevares i nærheten av denne fellen eller andre typer apparater.

# Innhold

|   |              |
|---|--------------|
| <b>Sikkerhetsinstrukser</b>               | <b>3n-4n</b> |
| <b>Apparatets ulike deler</b>             | <b>5n</b>    |
| <b>Bruksanvisning for montering</b>       | <b>6n</b>    |
| <b>Oppsett</b>                            | <b>7n-8n</b> |
| Plassere fellen                           |              |
| Lade Liberty Plus                         |              |
| Montere propanflasken                     |              |
| <b>Bruksanvisninger</b>                   | <b>9n</b>    |
| Bruksanvisninger for start                |              |
| Når den ikke brukes                       |              |
| Oppbevaring ved sesongslutt               |              |
| For best resultat                         |              |
| <b>Vedlikehold</b>                        | <b>10n</b>   |
| Vedlikehold                               |              |
| Tips angående bytting av propanflaske     |              |
| Vedlikeholdsrutiner                       |              |
| <b>Enkel Quick Clear hurtigrensventil</b> | <b>11n</b>   |
| <b>Feilsøking</b>                         | <b>12n</b>   |
| LED-feilkoder                             |              |
| <b>Registrering av produkt</b>            | <b>13n</b>   |



## Hvordan Mosquito Magnet® virker

Mygg og andre stikkende insekter merker karbondioksid (CO<sub>2</sub>) på lang avstand, og kan på denne måten finne mennesker. Når myggen nærmer seg vil den søke etter lukten på huden din, og bestemmer seg deretter for hvem person den skal stikke. Mosquito Magnet etterligner et menneske ved å omdanne propan til CO<sub>2</sub>. Den gjør dette ved bruk av katalytisk rensing som er en patentert teknologi, i kombinasjon med et lokkemiddel beregnet på korte distanser.

Mosquito Magnet tiltrekker seg mygg og andre stikkende insekter pga. CO<sub>2</sub> og dette lokkemiddelet som er beregnet på kortdistanser. Når de når frem til myggfellen vil insektene bli sugd inn i en insektpose ved hjelp av vår patenterte Counterflow Technology™. Her vil de tørke ut og dø innen 24 timer.

Mosquito Magnet er stille, luktfri og går hele døgnet. Når fellen er plassert riktig i hagen din, vil den **umiddelbart begynne å virke. Du vil få merkbare resultater innen 7 til 10 dager.** Etter 4 til 6 uker vil du merke at antall stikkende insekter er drastisk redusert. La Mosquito Magnet stå ute hele sommeren slik at den kan effektivt bekjempe myggbestanden i din hage.

Det er kun stikkende insekter som blir berørt av denne myggfellen, som f.eks. mygg, knott, sandflue og tuneffue. Nyttige insekter som sommerfugler, bier og møll blir ikke berørt.

## Spørsmål og svar

Vennligst ta kontakt med din Mosquito Magnet® forhandler. Du kan finne din forhandler på vår webside [www.mosquitomagnet.com](http://www.mosquitomagnet.com).

Woodstream® Corporation  
69 North Locust Street  
Lititz, PA 17543 USA  
[www.mosquitomagnet.com](http://www.mosquitomagnet.com)

|  |                                 |
|--|---------------------------------|
| <b>Modellnummer:</b>                                       | Liberty Plus                    |
| <b>Serienummer:</b>  |                                 |
| <b>Type gass:</b>  | propan                          |
| <b>Manifoldtrykk:<br/>Minimum inngående<br/>gasstrykk:</b> | 100 – 110 psi (6,90 – 7,58 bar) |
| <b>Inntak:</b>   | 28 cm vannsøyle                 |
| <b>Minimum avstand:</b>                                    | 759 Btu per time                |
|  | 51 – 61 cm                      |



# MOSQUITO MAGNET

1n



# MOSQUITO MAGNET

2n

# Sikkerhetsinstruksjoner

**Vennligst les og følg alle disse sikkerhetsinstruksene og advarslene.**

Barn og voksne må være obs på farlige høye overflatetemperaturer. Hold avstand slik at man unngår å bli brent eller at klærne tar fyr.

Pass godt på små barn når de er i nærheten av varmeapparatet. Fellen må være utilgjengelig for barn.

Klær og andre brannfarlige gjenstander må ikke henge over varmeapparatet, eller bli plassert i nærheten av varmeapparatet.

**Merk:** Noen, eller alle, av de følgende sikkerhetsinstruksene for propandrevne enheter, gjelder for din Liberty Plus. Du må la myggfellen avkjøle seg i 5 minutter før du starter den på nytt.

**⚠ Advarsel:** Feil montering, justering, forandring, service og vedlikehold kan forårsake personskader eller materielle skader. Du må lese bruksanvisningen nøye om hvordan du skal installere, bruke og vedlikeholde Liberty Plus før du installerer eller vedlikeholder apparatet.

**⚠ Forsiktig:** Gassregulatoren som er levert med apparatet må brukes. Regulatorens utgående trykk er satt til 28 cm vannsøyle. Minimum inngående gasstrykk er satt til 28 cm vannsøyle fra regulatoren.

- Dette apparatet egner seg ikke til å bli brukt i campingbiler og/eller båter.
- Du må slå av gassen til propanflasken når apparatet ikke er i bruk.
- Alt utstyr som er beregnet for gass skal være CE-merket og ha bruker- og vedlikeholdsveiledning på norsk. Installasjon må utføres i henhold til gjeldende forskrifter om brannfarlig eller trykksatt stoff.
- For å teste om gassen lekker kan du plassere såpevann rundt koblingsstykket, regulatoren og gassslangen. Hvis det oppstår såpebobler lekker det gass.
- Du må alltid kontrollere slangen før du tar den i bruk. Hvis det er tydelige tegn på slitasje, eller det er sprekk i slangen, må du bytte slangen før du begynner å bruke den. Den nye slangen må være anbefalt av fabrikanten.
- Liberty Plus er utstyrt med en innvendig gnisttenner. Hvis du ikke følger startprosedyren kan det resultere i at myggfellen ikke vil starte.
- Installasjon og reparasjon bør utføres av en montør med dokumentert kompetanse (du kan finne serviceforhandlere ved å gå til vår webside [www.mosquitomagnet.com](http://www.mosquitomagnet.com)). Varmeapparatet bør alltid kontrolleres før det tas i bruk, og en montør med dokumentert kompetanse bør inspisere apparatet minst en gang per år. Det kan være nødvendig at du rengjør apparatet oftere. Det er ytterst viktig at du holder reguleringsenheten, brennere og de sirkulerende luftveiene på varmeapparatet rene.

# Sikkerhetsinstruksjoner

- Hold en avstand på 51 – 61 cm rundt luftåpningene som fører til brennkammeret. Hold brennbar materiale borte fra apparatet. Forbrenningsluft og ventilasjonsluft må ikke blokkeres. Hold området rundt Liberty Plus fri for brennbar materiale, bensin og andre typer brennbar damp og væske. Du må ikke bruke apparatet på steder hvor det er stor sannsynlighet for at brennbar damp eller eksplosive stoffer kan oppstå.
- Se til at forbrenningsluft og ventilasjonsluft ikke er blokkert.
- Se til at det ikke er smuss rundt ventilasjonsåpningene på flasken.
- Rengjør Liberty Plus med en fuktig klut, hvis det blir nødvendig.
- Du må ikke bruke en propanflaske som er større enn 20 lb (9 kg).
- Propanflasken må være utstyrt med en avstengningsventil som stenger propanen fra gassflasken i henhold til gjeldende forskrifter om brannfarlig eller trykksatt stoff. Alt utstyr som er beregnet for gass skal være CE-merket.
- Propanflasken må være beregnet på et damptilførselssystem, og flasken må ha en krage som beskytter sylinderventilen.
- Propanflasken som du bruker må være konstruert og merket for propanflaske i henhold til gjeldende forskrifter om brannfarlig eller trykksatt stoff. Alt utstyr som er beregnet for gass skal være CE-merket.
- Liberty Plus må kun brukes utendørs, og området må være godt ventilert. Den må ikke brukes inne i en bygning, garasje, eller andre innestengte områder.
- Hvis du ønsker å oppbevare apparatet innendørs, må du stenge gassen og ta ut propanflasken, for deretter å fjerne det fra apparatet.
- Propanflasken må oppbevares utendørs, og området må være godt ventilert. Propanflasken skal oppbevares utilgjengelig for barn.
- Propanflasker som er koblet fra må ha gjengete ventilplugg som sitter godt. Propanflasker må ikke oppbevares inne i en bygning, garasje eller andre innestengte områder.
- Denne propanflasken kommer med en trykkregulator og en slangeforbindelse som må brukes når du skal montere

propanflasken. Bruk kun trykkregulatorer og slangeforbindelser som er anbefalt av fabrikanten.

- Unngå feilaktig bruk av skjoteledninger. Se til at koblinger ikke kommer i kontakt med fuktighet. Unngå å ødelegge ledningen.
- Hvis drivstoffledningen er ødelagt må den byttes av fabrikanten, et serviceverksted, eller en montør med dokumentert kompetanse, for å unngå farer.

Hvis du har spørsmål kan du ta kontakt med din Mosquito Magnet® forhandler, eller du kan se vår webside [www.mosquitomagnet.com](http://www.mosquitomagnet.com).



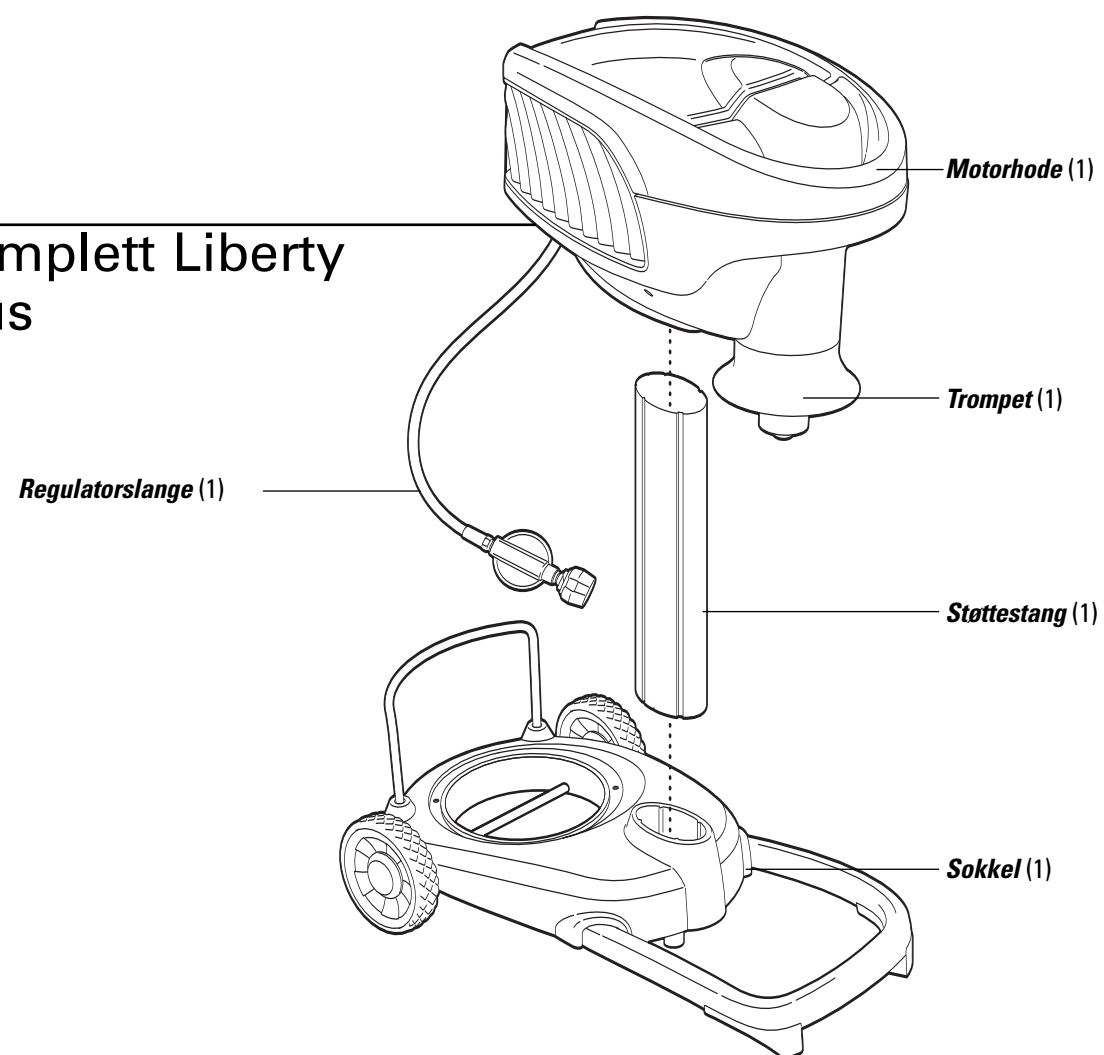
**MOSQUITO MAGNET**



**MOSQUITO MAGNET**

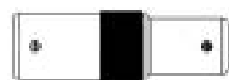
# Apparatets ulike deler

## Komplett Liberty Plus

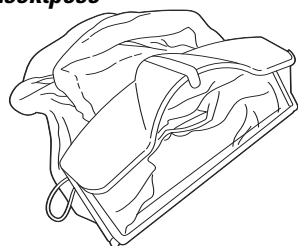


## Inkluderte deler

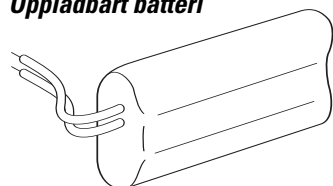
Quick Clear mellomstykke



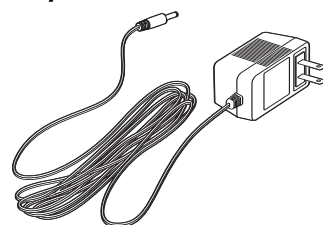
Insektpose



Oppladbart batteri



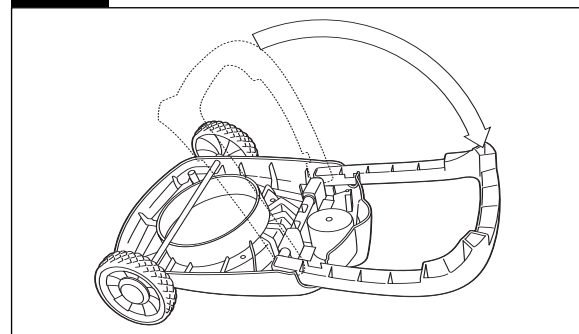
Adapter til lader



# Bruksanvisning for montering

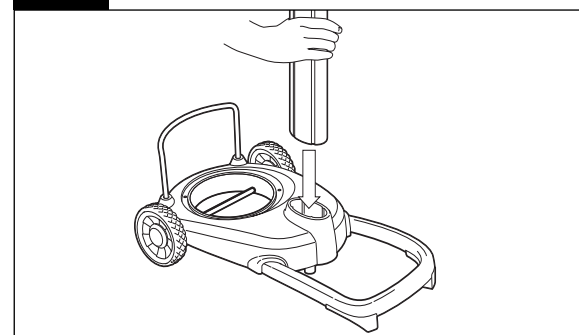
## Montering av felle:

### Punkt 1



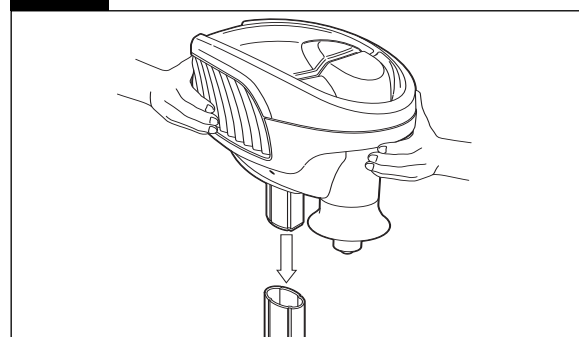
Legg sokkelen opp ned på flat bakke. Bøy ut støttebenet som er U-formet. Du vil høre at det smetter på plass.

### Punkt 2



Snu sokkelen og støttebenet tilbake. Sett støttestangen i hullet på sokkelen.

### Punkt 3



Plasser Liberty Plus motorhode på støttestangen. Bruk to hender for å trykke det hardt ned, slik at det sitter trygt.

En montert myggfelle skal ha fremsiden av motorhodet/trompeten lengst unna hjulene, og peker samme veg som støttebenet med U-form.

### Punkt 4

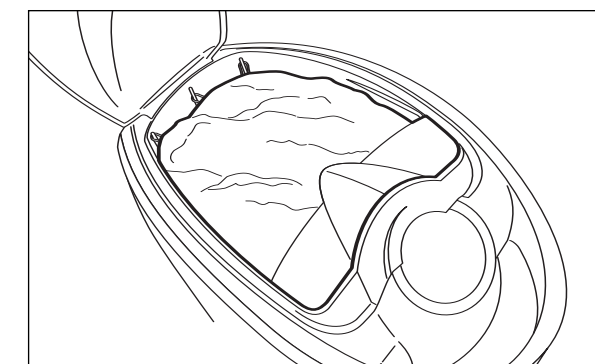
Liberty Plus må lades i 24 timer før første bruk. Se side 7 for mer informasjon.

**MERK:** Du behøver ikke å lade den igjen før neste sesong.

## Montering av insektpose:

Åpne det gjennomsiktige plastlokket. Fest plastklipsene på insektposen til fremsiden av beholderen. Lukk plastlokket når du er ferdig.

**MERK:** Du kan hekte stoffløkkene over plaststengene slik at insektposen kan utvide seg så mye som mulig.



Insektposen festes til fremsiden av beholderen.



# Oppsett

## Plassere fellen

1. Du må fastslå hvilken retning vinden vanligvis blåser. Hvis du ikke er sikker kan du finne et lokalt værmønster.
2. Stå midt i det området som du ønsker å beskytte, se mot vinden.
3. Riktig plassering av Liberty Plus er 9 – 12 m foran deg, og 1,5 – 1,8 m unna vegetasjon (f.eks. busker, blomsterbed, tregrense, moseområder). Pass på at myggfellen ikke står rett ved siden av en sperring som f.eks. en bygning, et gjerde, osv.
4. Vi anbefaler at du setter myggfellen i skyggen.
5. Du må ikke plassere myggfellen direkte over en vannkilde (sprinkler, slange, osv).
6. Myggfellen må stå på flat bakke, ellers kan den velte, og propanen blir ujevnt fordelt.
7. Myggfellen har en vedlagt CD-ROM som du kan henvise til for at å finne den aller beste plassen for din Liberty Plus.

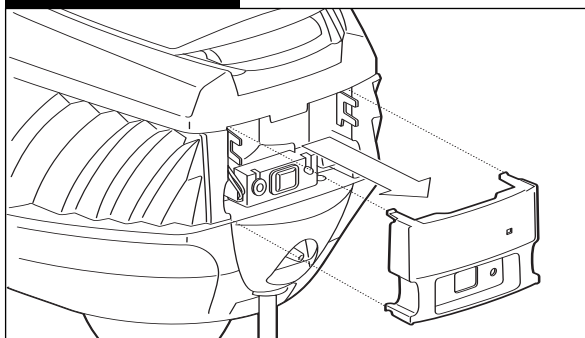


## Lading av din Mosquito Magnet® Liberty Plus

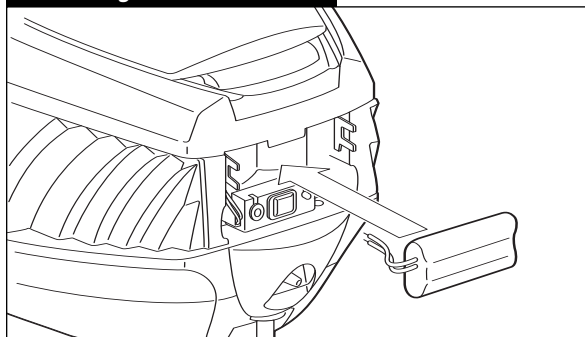
1. Ta av dekslet som sitter på baksiden av motorhodet (dekslet åpnes med et klikk).
2. Sett inn batteriet og koble det til.
3. Sett adapteren til laderen inn i baksiden på motorhodet.  
Den må lades i 24 timer på begynnelsen av hver sesong. Du vil ikke behøve å lade den igjen før neste sesong.  
Sett tilbake dekslet når du er ferdig (dekslet vil smette på plass).

**MERK:** Apparatet må lades opp innendørs, fordi myggfellen er ikke vanntett når dekslet er av.

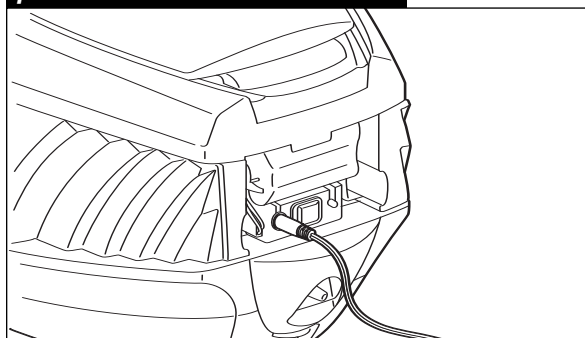
### Ta av bakre deksel



### Sett inn og koble til batteriet



### Koble laderen til batteriladeren på motorhodet



# Oppsett

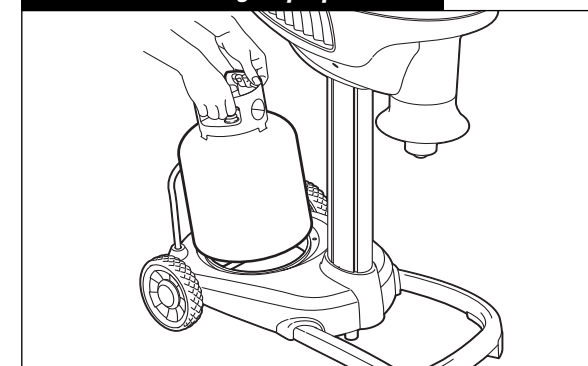
## Montere propanflasken

1. Når du har plassert myggfellen på den beste plassen, må du installere propanflasken.
2. Se til at propanflasken er helt stengt. Koble regulatorslangen til propanflasken. Stram til for hånd.  
**Ikke bruk verktøy.**
3. Slå på propanen ved å vri ventilen sakte mot venstre. Vær forsiktig så du ikke vrir for fort, da vil sikkerhetsventilen åpne seg.

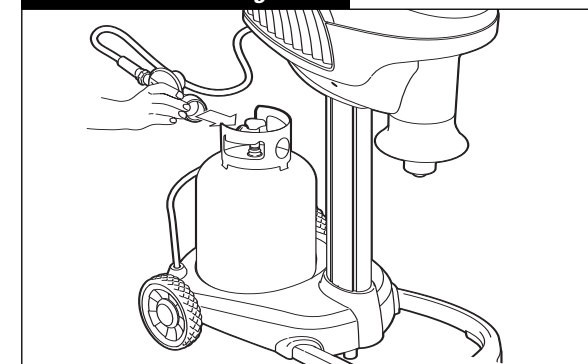
**DU MÅ IKKE FLYTTE PÅ MYGGFELLEN MED TILKOBLET FLASKE!**

FOR Å UNNGÅ AT REGULATOREN OG/ELLER MYGGFELLEN BLIR SKADET MÅ DU KOBLE FLASKEN FRA REGULATOREN FØR DU FLYTTER PÅ MYGGFELLEN. SKADER SOM OPPSTÅR FORDI DU IKKE FØLGER DISSE INSTRUKSENE, VIL PÅVIRKE GARANTIEEN.

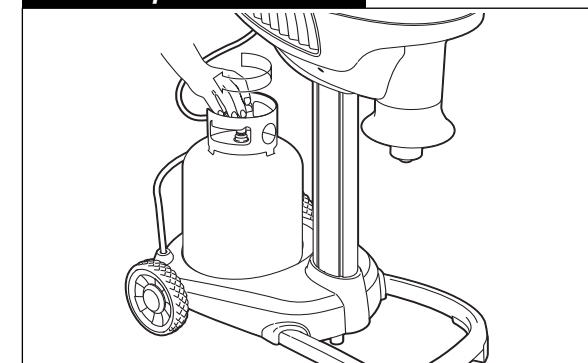
### Punkt 1 – Plassering av propanflaske



### Punkt 2 – Koble til regulator



### Punkt 3 – Åpne ventilen sakte



**MOSQUITO MAGNET**



**MOSQUITO MAGNET**

# Bruksanvisninger

**\*\*LES BRUKERHÅNDBOKEN FØR DU STARTER\*\***

## Bruksanvisning for start

Vi anbefaler at du leser hele denne brukerhåndboken før du starter Liberty Plus myggfellen.

1. Du må lade din Mosquito Magnet® Liberty Plus i 24 timer før starten på hver sesong.
2. Koble regulatoren til propanflasken (se side 8).
3. Åpne ventilen på propanflasken sakte.
4. Trykk PÅ/AV-knappen PÅ.

LED-lyset vil bli helt oransje. Dette betyr at apparatet varmer seg opp. Etter ca. 15 til 20 min. vil LED-lyset forandre seg til grønt. Myggfellen er klar til bruk.

## Når den ikke brukes

Hvis du ikke bruker apparatet, må du slå av gassen. Du kan oppbevare dette apparatet innendørs hvis du har koblet fra og fjernet flasken fra apparatet. Propanflasken må oppbevares utendørs, og utilgjengelig for barn. Den må ikke oppbevares i en bygning, garasje eller annet innestengt område.

## Oppbevaring ved sesongslutt

Trykk PÅ/AV-knappen AV, for å slå av Liberty Plus. LED-lyset vil slukkes, men viften vil fortsette å gå helt til myggfellen er avkjølt. Steng ventilen på propanflasken, deretter må du koble fra regulatoren. Du må også koble fra batteriet, men ikke fjern batteriet fra myggfellen.

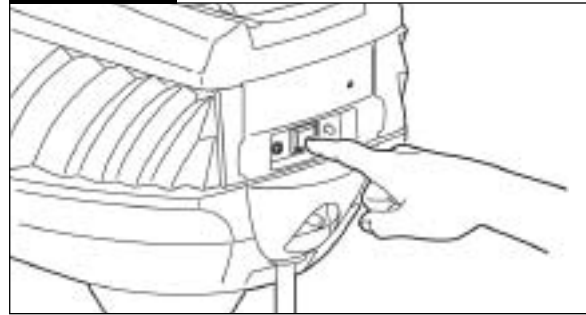
Mosquito Magnet® lokkemiddel som er åpnet bør fjernes og kastes. Henvist til merkelappen på lokkemiddelet for å få informasjon om hvordan det bør avhendes. Du må også kaste insektposen før du oppbevarer Liberty Plus.

**OPPBEVARING:** Liberty Plus bør oppbevares i en garasje eller i et uthus utenom sesongen. Dekk til trompeten slik at ikke insekter får mulighet til å overvintre der. Dekk hele myggfellen med et cover som du kan få kjøpt på vår webside [www.mosquitomagnet.com](http://www.mosquitomagnet.com). Du kan også dekke myggfellen med en plastduk hvor du fester undersiden godt, slik at ikke støv, spindelvev og annet smuss trenger inn.

**MERK:** Vi anbefaler at du bruker Quick Clear hurtigrensfilter før du oppbevarer apparatet etter endt sesong. Dette vil forhindre smuss (se side 13).

Vennligst se vår webside [www.mosquitomagnet.com](http://www.mosquitomagnet.com) for å finne din nærmeste forhandler som kan utføre service til våren.

## PÅ/AV-bryter



## For best resultat (må myggfellen gå hele døgnet)

- Myggfellen din vil begynne å virke umiddelbart, og du vil få merkbare resultater innen 7 – 10 dager. Etter 4 – 6 uker vil du merke at myggbestanden i din hage er drastisk redusert.
- Du må aldri spraye insektspray på eller rundt fellen.
- Myggfellen tåler regn, men ikke plasser fellen direkte over en vannkilde (sprinkler, slange osv.).
- Hvis du skal gjødsle med kalk eller andre typer gjødsel må du først slå av Liberty Plus. Dette forhindrer at insektposen blir tilstoppet med fint støv.

**Advarsel:** Feil montering, justering, forandring, service og vedlikehold kan forårsake personskader eller materielle skader. Du må lese bruksanvisningen nøye om hvordan du skal installere, bruke og vedlikeholde myggfellen før du installerer eller vedlikeholder fellen.

**Forsiktig:** Gassregulatoren som er levert med apparatet må brukes. Regulatorens utgående trykk er satt til 28 cm vannsøyle.

Du må slå av gassen på propanflasken når du ikke bruker apparatet.

## Stenge maskinen



# Vedlikehold

## Vedlikehold

### • Vedlikeholdsrutiner hver tredje uke

- Fyll på propan. (Propanen varer i ca. 21 dager hvis apparatet står på hele tiden).
- Skift lokkemiddel egnet for kortdistanse.  
Les bruksanvisningen på lokkemiddelet.
- Tøm eller skift insektposen.
- Bruk Quick Clear mellomstykket når du skifter flaske for første gang, deretter annen hver gang du skifter flaske.
- Rengjør utsiden av Liberty Plus en gang imellom med en ren og fuktig klut.
- Du må lade Mosquito Magnet Liberty Plus i 24 timer før hver sesongstart.

## Tips angående bytting av propanflaske

Når du har skiftet flaske, og du skal koble regulatoren til flasken, må du stramme den godt. Du behøver ikke å bruke verktøy, med stram så mye som mulig for hånd. Når du har gjort dette må du løsne regulatoren 1/4 omgang, for deretter å stramme så mye som mulig en gang til.

Grunnen til at du gjør dette er fordi regulatoren må sitte godt på flasken. Hvis ikke regulatoren sitter godt på flasken, kan det påvirke gassen slik at myggfellen viser en varselkode som indikerer tom gass. Hvis dette skulle skje må du trykke på av-knappen, steng flaskeventilen, og fjern regulatoren fra flasken. Deretter må du koble regulatoren til flasken på nytt.

## Vedlikeholdsrutiner

**Merk:** Insektposen må skiftes når den er halvfull. Du finner alt tilbehør hos din Mosquito Magnet forhandler.

|                              | Eksempel | Sesong 1 | Sesong 2 | Sesong 3 | Sesong 4 |
|------------------------------|----------|----------|----------|----------|----------|
| Kjøpedato                    | 4/1      |          |          |          |          |
| Garantidato                  | 4/1      |          |          |          |          |
| Dato for oppstart            | 4/1      |          |          |          |          |
| Skiftet propan & lokkemiddel | 4/21     |          |          |          |          |
| Quick Clear hurtigrensfilter | 4/21     |          |          |          |          |
| Skiftet propan & lokkemiddel | 5/11     |          |          |          |          |
| Quick Clear hurtigrensfilter | —        |          |          |          |          |
| Skiftet propan & lokkemiddel | 5/31     |          |          |          |          |
| Quick Clear hurtigrensfilter | 5/31     |          |          |          |          |
| Skiftet propan & lokkemiddel | 6/20     |          |          |          |          |
| Quick Clear hurtigrensfilter | —        |          |          |          |          |
| Skiftet propan & lokkemiddel | 7/10     |          |          |          |          |
| Quick Clear hurtigrensfilter | 7/10     |          |          |          |          |
| Skiftet propan & lokkemiddel | 7/30     |          |          |          |          |
| Quick Clear hurtigrensfilter | —        |          |          |          |          |
| Skiftet propan & lokkemiddel | 8/19     |          |          |          |          |
| Quick Clear hurtigrensfilter | 8/19     |          |          |          |          |
| Skiftet propan & lokkemiddel | 9/8      |          |          |          |          |
| Quick Clear hurtigrensfilter | —        |          |          |          |          |
| Skiftet propan & lokkemiddel | 9/28     |          |          |          |          |
| Quick Clear hurtigrensfilter | 9/28     |          |          |          |          |



# Enkel Quick Clear hurtigrensventil

**⚠ Viktig: Slukk alt som ryker før du bruker den enkle Quick Clear hurtigrensventilen. Du må ikke stå rett bak Quick Clear hurtigrensfilteret når det er i bruk.**

**⚠ Vi anbefaler at du bruker BESKYTTELSESBRILLER.**

**Vi anbefaler at du bruker Quick Clear ved rutinemessig vedlikehold, for å fjerne oppsamlet smuss. Dette er ikke noe som du må gjøre før du bruker myggfellen.**

Vi anbefaler at du bruker Quick Clear første gangen du skifter flaske. Deretter bør du gjøre dette etter annenhver flaske. Vi anbefaler også at du bruker Quick Clear før du oppbevarer apparatet på slutten av sesongen, da unngår du at smuss samler seg opp i løpet av denne perioden. Du finner vedlikeholdsprosedyrer for den enkle Quick Clear hurtigrensventilen på en merkelapp på apparatet. Denne merkelappen skal være lett synlig.

Den enkle Quick Clear hurtigrensventilen er en gulltapp med gjenger som sitter på baksiden av myggfellen. Den må brukes sammen med mellomstykket som følger med myggfellen, og et gjenget Quick Clear hurtigrensfilter.

**Du kan få dette på vår webside [www.mosquitomagnet.com](http://www.mosquitomagnet.com), eller hos din Mosquito Magnet® forhandler.**

1. Slå av myggfellen. La viften gå helt til den stopper av seg selv (ca. 5 minutter).
2. Steng ventilen på propanflasken ved å vri den til AV-stilling. (Vri flaskeventilen mot høyre).
3. Ta av beskyttelseshetten fra den enkle Quick Clear hurtigrensventilen på myggfellen.
4. Skru Quick Clear mellomstykket inn på den enkle Quick Clear hurtigrensventilen, og stram for hånd.
5. Skru Quick Clear hurtigrensfilteret inn i Quick Clear mellomstykket. Skru mot høyre samtidig som du holder mellomstykket på plass.

**Viktig:** Ikke stram for mye.

6. Samtidig som du holder mellomstykket på plass må du løse Quick Clear hurtigrensfilteret ved å skru mot venstre en 1/4 omgang. Den sterke strømmen med lufttrykk vil vare i ca. 45 sekunder. Pass på at Quick Clear hurtigrensfilteret tømmer seg helt. (Hvesingen vil stoppe når sylindere er tom. Et Quick Clear hurtigrensfilter er kaldt når du tar på det).
7. Skru ut Quick Clear hurtigrensfilteret for å fjerne det. Du må kaste Quick Clear hurtigrensfilteret etter bruk, det kan ikke fylles eller brukes flere ganger.
8. Skru ut Quick Clear mellomstykket for å fjerne det. Resterende lufttrykk kan strømme ut når du fjerner Quick Clear mellomstykket og filteret, så vær forsiktig. Du må ta vare på Quick Clear mellomstykket fordi det kan brukes flere ganger.
9. Sett tilbake beskyttelseshetten på den enkle Quick Clear hurtigrensventilen, og start myggfellen som normalt. Hvis du fortsatt har problemer med å starte myggfellen etter at du har brukt Quick Clear, må du kontakte din Mosquito Magnet® forhandler.

**Punkt 4**



Du må først skru Quick Clear mellomstykket inn på ventilen.

**Punkt 5**



Skru Quick Clear hurtigrensfilteret inn i Quick Clear mellomstykket samtidig som du holder mellomstykket på plass.

**Punkt 6**



For å starte renseprosessen må du holde Quick Clear mellomstykket på plass, deretter løsner du Quick Clear hurtigrensfilteret 1/4 omgang.

**Punkt 7**



Skru ut Quick Clear hurtigrensfilteret først, skru så ut Quick Clear mellomstykket. Du må kaste Quick Clear hurtigrensfilteret, men ta vare på Quick Clear mellomstykket, for du kan bruke det flere ganger.

# Feilsøking

| Problem   | Mulig årsak  | Løsninger  |
|---|--|--|
| <b>Apparatet vil ikke starte</b><br><b>LED-lyset blinker rødt med 7 sekunders mellomrom</b> | <ol style="list-style-type: none"> <li>1. Propanflasken kan være tom.</li> <li>2. Hvis propanflasken er ny, eller har nettopp blitt etterfylt, må den luftes.</li> <li>3. En kobling kan være løs.</li> <li>4. Drivstoffledningen kan være blokkert av smuss.</li> </ol> | <ol style="list-style-type: none"> <li>1. Se hvor mye flasken veier ved å sammenligne vekten med "tom" flaske som angitt på flasken.</li> <li>2. Ta med flasken til en fyllstasjon. Det kan hende at det er luft i drivstoffledningen, så be om at flasken blir luftet. Hint: Hvis du har et annet apparat som også bruker en vanlig propanflaske på 20 lb. (9kg) kan du prøve å låne den flasken for å se om Liberty Plus fungerer. Slik kan du finne ut om det er noe galt med flasken.</li> <li>3. Kontroller alle koblinger. Se til at ventilen på propanflasken er helt åpen.</li> <li>4. Les bruksanvisning for Quick Clear mellomstykket på side 13.</li> </ol> |
| <b>Apparatet slår seg av</b>  | <ol style="list-style-type: none"> <li>1. Kontroller 'mulige årsaker' som 1 &amp; 3 nevnt over.</li> <li>2. Drivstoffledningen kan være blokkert av smuss.</li> <li>3. Regulatoren sitter ikke godt nok på.</li> </ol>   | <ol style="list-style-type: none"> <li>1. Gå igjennom punkt 1 &amp; 3 som nevnt over.</li> <li>2. Les bruksanvisning for Quick Clear mellomstykket på side 13.</li> <li>3. Henvis til tips for å skifte flaske på side 8.</li> </ol>   |
| <b>Lite eller ingen mygg i fellen</b>   | <ol style="list-style-type: none"> <li>1. Kanskje det er for tidlig for insektene.</li> <li>2. Myggfellen er plassert feil.</li> <li>3. Myggens formeringssyklus har ikke blitt forstyrret/avbrutt enda.</li> <li>4. Motstrømmen kan være blokkert.</li> </ol>           | <ol style="list-style-type: none"> <li>1. Pass på at temperaturen er over 10°C hele tiden.</li> <li>2. Følg punktene i brukerhåndboken for "plassering av myggfellen". Du kan også henvise til en vedlagt CD-ROM.</li> <li>3. Myggfellen må være på hele døgnet i minst 4–6 uker, for at myggbestanden skal bli redusert.</li> <li>4. . Luftstrømmen kan være blokkert. Ring din forhandler.</li> </ol>  |
| <b>LED-lyset blinker RØDT/GRØNT med 7 sekunders mellomrom</b>                               | Høy temperatur   | <ol style="list-style-type: none"> <li>1. Slå av myggfellen, la den avkjøles i 1/2 time, start den på nytt. Fortsetter koden må du kontakte din forhandler.</li> </ol>   |
| <b>LED-lyset blinker RØDT/ORANSJE med 7 sekunders mellomrom</b>                             | Lav batterispenning  | <ol style="list-style-type: none"> <li>1. Se til at du har ladet batteriet i 24 timer før første start, og ved hver sesongstart.</li> <li>2. Kontroller alle batterikoblinger, se til at de er tilkoblet.</li> <li>3. Hvis du prøver å starte din Mosquito Magnet® mange ganger uten å lykkes, må du kanskje lade batteriet.</li> </ol>  |
| <b>LED-lyset dobbeltblinker RØDT med 7 sekunders mellomrom</b>                              | Termistorfeil  | Ta kontakt med din Mosquito Magnet forhandler.   |
| <b>LED-lyset er konstant rødt</b>   | Elektrisk feil   | Ta kontakt med din Mosquito Magnet forhandler.   |

**Service à la clientèle \*\*Veuillez avoir à portée de main votre numéro de série, date d'achat et le type du modèle\*\***

Woodstream® Corporation® ønsker at du skal bli helt fornøyd med din Liberty Plus. Hvis du har et problem som du ikke klarer å løse kan du kontakte din Mosquito Magnet® forhandler, eller du kan se vår **webside [www.mosquitomagnet.com](http://www.mosquitomagnet.com)**. Vi hjelper deg å komme igang.



# Registrere produktet

Du kan registrere ditt produkt på [www.mosquitomagnet.com](http://www.mosquitomagnet.com), eller send et ferdig utfylt skjema via vanlig post.

Woodstream® Corporation, Attn: Mosquito Magnet® Consumer Care, 69 North Locust Street, Lititz, PA 17543 USA

|                     |                  |   |
|---------------------|------------------|---|
| Fornavn _____       | Etternavn _____  |   |
| Adresse _____       |                  |   |
| By _____            | Postnummer _____ | Land _____  |
| Telefonnummer _____ | E-post _____     | <input type="checkbox"/> Ja, jeg ønsker å få produktoppdateringer via e-post. |

## 1. Hvor kjøpe du dette produktet?

Webside \_\_\_\_\_  Butikk \_\_\_\_\_  Servicesenter \_\_\_\_\_

## 2. Hvordan ble du kjent med Mosquito Magnet® (kryss av alle som passer)?

Reklame på radio  Posten  Reklame på TV  Venner/familie  Webside  Reklame i ukeblad  
 Reklame i avis  Innlegg (avis, ukeblad, TV, osv.)  Frontgate  Utstilling i butikk  Andre

## 3. Hvem i din husstand bestemte å kjøpe en Mosquito Magnet®?

Mann  Kvinne  Begge

## 4. Hva er din sivilstand?

Singel  Gift

## 5. Bor det barn i din husstand?

Ja  Nei

## 6. Hva var de to viktigste årsakene til at du kjøpte dette produktet?

Beskyttelse fra mygg som kan spre sykdommer  Ryktet om god kvalitet  
 Vitenskapen/teknologien bak produktet  Trivsel  
 Ble anbefalt av venner/familie  Fikk som gave  
 Ble anbefalt av selger  Andre

## 7. Hvor gammel er du?

25 – 35  36-45  46-55  56-70  70+

## 8. Hva slags utdanning har du?

Videregående skole  Høyskole/universitet 4 år eller mindre  Høyskole/universitet mer enn 4 år  
 Doktorgrad  Teknisk eller yrkesskole

## 9. Hva er husstandens årlige inntekt?

NOK 160 000 – 259 999  NOK 260 000 – 389 999  NOK 390 000 – 599 999  Over NOK 600 000

## 10. Hva slags andre typer insektmiddel har du prøvd?

Insektdrepende lamper  Spray  Pesticider  Andre CO2 feller, navn: \_\_\_\_\_

## 11. Kunne du tenke deg å gi en brukeranbefaling etter at du har blitt helt overbevist om at Mosquito Magnet er svært effektiv?

Ja  Nei

## 12. Synes du bruksanvisningene angående montering og bruk var lette å forstå?

Ja  Nei

## 13. Trengte du kundeservice?

Ja  Nei

### NØDVENDIG INFORMASJON

For at produktet ditt skal bli riktig registrert hos Woodstream® Corporation må du oppgi følgende informasjon.

**Modell:** Sett sirkel rundt den riktige

Defender    Liberty    Liberty Plus

Serienummer: \_\_\_\_\_

Kjøpedato: \_\_\_\_\_

Du finner din nærmeste forhandler på vår webside  
[www.mosquitomagnet.com](http://www.mosquitomagnet.com).

**Forbrukervem:** All informasjon på dette kortet vil kun bli brukt av Woodstream® Corporation for internsalg og markedsføring. Informasjonen du har oppgitt vil ikke under noen omstendigheter bli solgt, leid ut eller forpaktet til andre selskaper, organisasjoner eller byråer. Du vil ikke finne denne informasjonen på vår webside, eller på andre offentlige steder. Hvis du ønsker å gi flere kommentarer eller brukeranbefalinger angående vårt produkt, må du sende disse i en egen konvolutt til vår markedsføringsavdeling. Adressen finner du i brukerhåndboken.

